

Micro-CTL Automation Sdn. Bhd.
Subang Jaya, Selangor, Malaysia. Model : C-9BL

Figure 1 : Wiring Diagram of Alarm Bell to Fire Alarm Control Panel

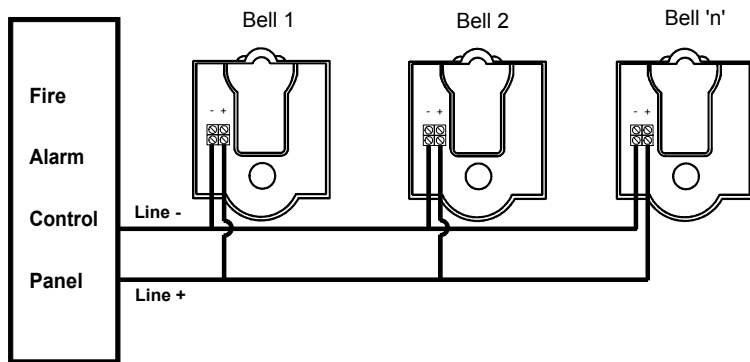


Figure 2 : Alarm Bell Dimension (mm)

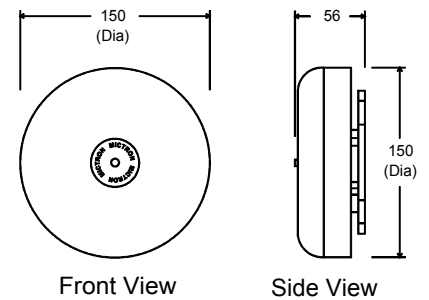
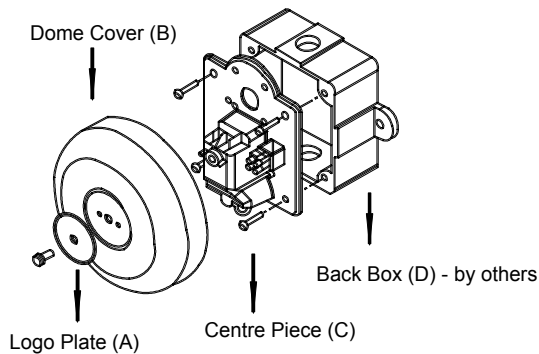


Figure 3 : Sectional View of Alarm Bell



Safety Precautions during Installation and Testing

- 1) To install alarm bell, refer to Figure 3
 - Step 1) Mount Back Box (D) to wall.
 - Step 2) Fix Centre Piece (C) to (D).
 - Step 3) Install Dome Cover (B) to (C).
 - Step 4) Fix Logo Plate (A) to (B).