



AX-9SCi

Loop Line Short Circuit Isolator

Features:

- Isolator base fully compatible with standard AX smoke/heat detector base
- Built-in LED indicators for normal & isolated conditions
- Automatically reset when the loop line returned to normal

Principle of operation:

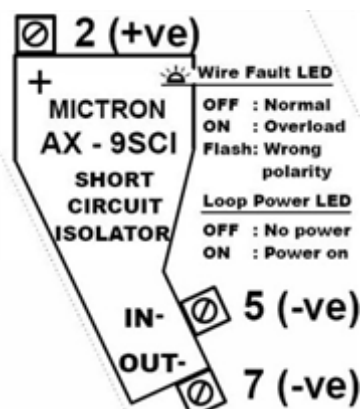
The operation of Mictron Series AX isolator is based on the principle that the loop line voltage cannot fall below a preset value within a period of time.

The isolator consists of a micro controller circuit & analog converter, it will continuously monitor the line condition & isolate the input & output loop lines, thus ensuring part of the loop will continue to work.

Technical Specification:

Brand	: Mictron
Model	: Series AX
Type	: Resettable
Part Number	: AX-9SCi
Operating Voltage	: 17-28V DC
Standby Current	: 30uA
Activated Current (max)	: 2mA
Max. Resistance (sw close)	: 0.25Ω
Isolating Voltage	: 12-14V DC
Re-connect Voltage	: 14-16V DC
Temperature Range	: -20 to 70°C
Operating Humidity	: 95% RH (Non-condensing)
Weight	: 25g
Material	: ABS
Dimension	: Ø100mm X 20mm
Colour	: White

Wiring Detail:



Ordering Information:

<u>Part Number</u>	<u>Description</u>
AX-9SCi	Isolator Base

Micro-CTL reserves the right to alter specification of its product without prior notice