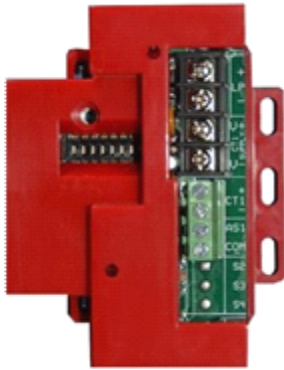


Multi Channels Addressable I/O units

AXM-1ZV-A
1 zone & 1 output



AXM-1ZV-B
4 Status Input



EN 54-18

Features:

- Designed for 1 sounder/control output and 1 flow switch zone input
- Small & compact design for easy installation.
- Housed in an robust casing for added protection, suitable for indoor & outdoor installation.

Principle of operation:

The I/O unit is part of device for Mictron 9900 analog addressable fire alarm system.

The supervised input can be used as zone input to link conventional devices to the fire alarm system. It is able to detect zone, open circuit fault & short circuit fault condition.

The supervised 24VDC-500mA output is used to control ancillary equipment such as fan or lift. The output relay is power by an external 24V DC supply. It can also be used to connect to a sounder or alarm bell. It is able to monitor open circuit fault & short circuit fault.

An extra pair of power cable is required if the I/O unit's output point is used.

Features:

- Designed for 4 unsupervised inputs or 1 supervised input & 3 unsupervised inputs
- compact design for directly integrated into the panel to be interface
- Suitable for monitoring of pump, CO2 panel, valve input as well as 1 zone input

Principle of operation:

The Mictron series AX is an Input/Output module for Mictron 9900 fire alarm system.

The supervised input can be used as zone input to link conventional devices to the fire alarm system. It is able to detect zone alarm, open circuit fault & short circuit fault condition.

The unsupervised input is used to monitor the voltage free relay contact of an external system, such as pump panel or gas extinguishing system.

The I/O module is normally installed inside the system to be monitored without any external wiring, such as: pump and CO2 panel.

Programming:

The address of the AX devices can be set by a built-in DIP switch or a portable tester as followed:

Hard Addressing:



Example: switch 1 & 4 is off, all other switches are on, the address is 1+8=9

Each loop can interface up to 126 devices.
(the address 0 & 127 is reserve for manufacturer debugging usage)



Soft Addressing:



The tester has a built-in detector base and wire terminals to set address of all AX devices. It can also be used as a viewer to read the analog value of the devices, as well as turning on/off the LED indicator or output.



Technical Specification:

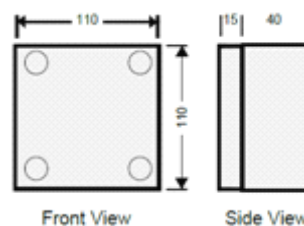
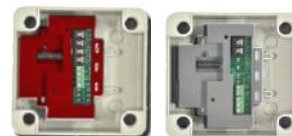
| | |
|--------------------|--|
| Brand | : Mictron |
| Model | : Series AX |
| Part Number | : AXM-IZV-A |
| Quiescent Current | : 1mA (+1.5mA FS zone) |
| Alarm Current | : 1.5mA (output on) |
| Operating Voltage | : 20-28V DC |
| Type | : 1 Zone & 1 Output (or 1 input/1 output) |
| Temperature Range | : 0-50°C |
| Operating Humidity | : 95% RH (Non condensing) |
| Output Driver | : 500mA |
| Weight | : 180g with enclosure |
| Material | : ABS |
| Dimension(mm) | : 110 X 110 X 55 |
| Colour | : Red |
| Approved Standard | : EN54-18, SIRIM |
| Certificate Number | : 2008EL0773, SIRIM |
| LED Indications | : Tx |

Technical Specification:

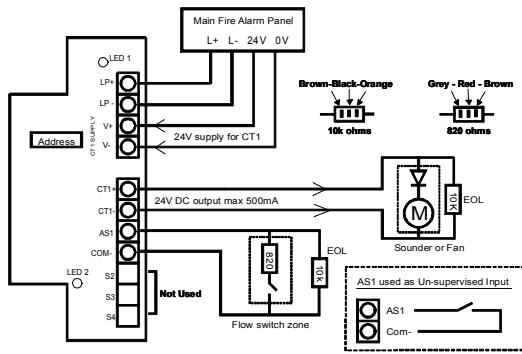
| | |
|--------------------|--|
| Brand | : Mictron |
| Model | : Series AX |
| Part Number | : AXM-IZV-B |
| Quiescent Current | : 1mA (not zone input) |
| Alarm Current | : - |
| Operating Voltage | : 20-28V DC |
| Type | : 1 Zone & 3 Output (or 4 status input) |
| Temperature Range | : 0-50°C |
| Operating Humidity | : 95% RH (Non condensing) |
| Output Driver | : - |
| Weight | : 180g with enclosure |
| Material | : ABS |
| Dimension(mm) | : 110 X 110 X 55 |
| Colour | : Light Grey |
| Approved Standard | : EN54-18, SIRIM |
| Certificate Number | : 2008EL0773, SIRIM |
| LED Indications | : Tx & CT1 is on |



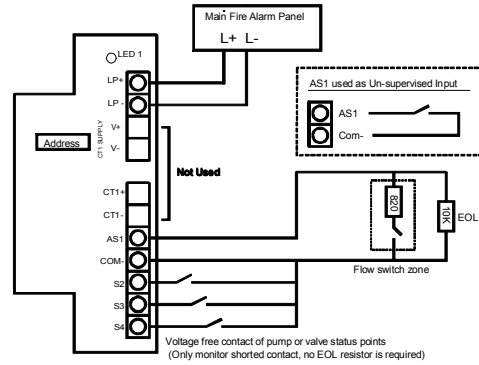
| | |
|---------------------|--|
| Enclosure | : IP56 Dust/weatherproof |
| Material | : ABS thermoplastic |
| Dimension (mm) | : 110 X 110 X 55 |
| Colour | : Light Grey |
| Chemical Resistance | : aqueous acids, alkalis, Seawater, concentrated Phosphoric and hydrochloric acid |



**Wiring Detail:
AXM-1ZV-A**



AXM-1ZV-B



Ordering Information:

| Part Number | Description |
|-------------|---|
| AXM-1ZV-A | I/O unit Type A with AXM-1ZV-BX box (1 set) |
| AXM-1ZV-B | I/O unit Type B with AXM-1ZV-BX box (1 set) |
| AXM-1ZV-BX | PVC (PVC-Link) Box only without card |

Micro-CTL reserves the right to alter specification of its product without prior notice