

COST EFFECTIVE

EXCELLENT FEATURES

MAXIMUM PERFORMANCE

MICTRON 8

Microprocessor-based

Conventional FIREMAN INTERCOM SYSTEM



Features :

- Low in price
- High in Technology
- Low in Maintenance costs
- High in efficiency
- Minimum servicing required
- Maximum performance expected

Suitable For :

- Intelligent Buildings
- Apartments
- Commercial Complexes
- High Rise & Low Rise Buildings
- Factories
- Hospitals & Medical Centers



MICTRON 8 MICROPROCESSOR-BASED

Mictron 8 is a result of the advance technologies available today and uses the latest single chip microprocessor. It provides features which are beyond the capability of the conventional 2-way communication system.

Main Panel

The Main Fireman Intercom Panel (MFIP) consists of 3 parts:

- > The LED Intercom Status Panel shows all the Remote Fireman Intercom Station (RFIS) locations.
- > The Master Handset Panel is used for communicating with the RFIS.
- > The Keyboard/Trouble Indication Panel is used for selecting RFIS for 2-way or party line communication.

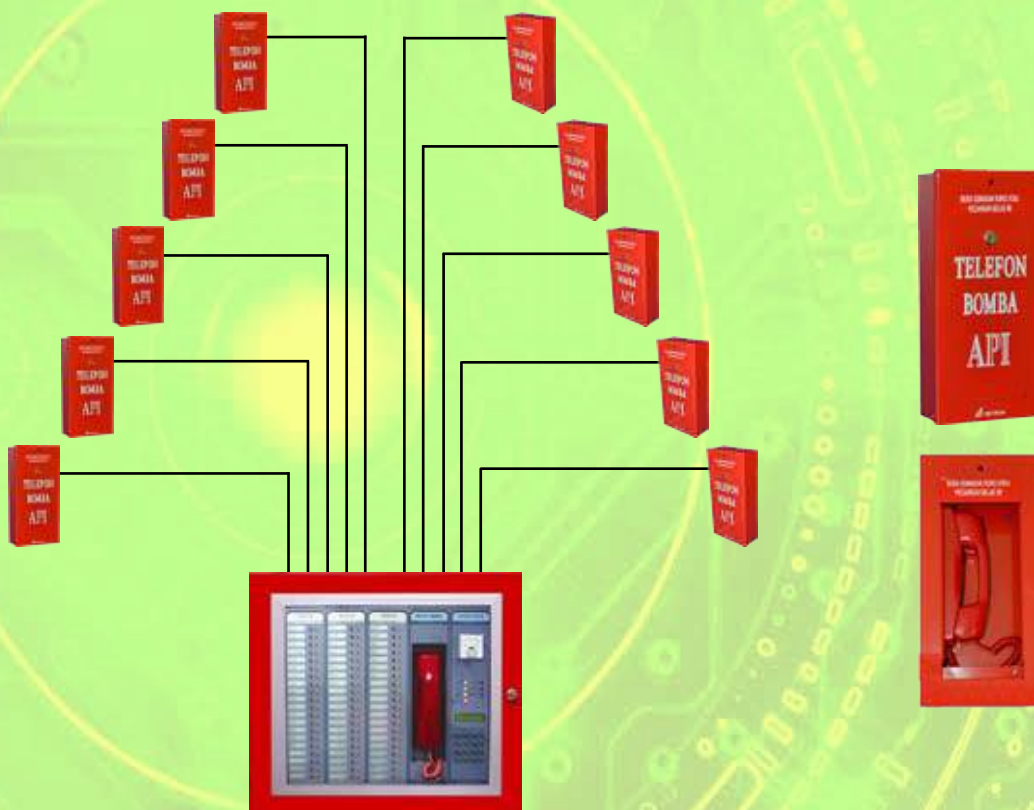
Remote Fireman Intercom Station (RFIS)

The RFIS is located at strategic locations, such as :
escape staircases, lift lobbies and mechanical rooms.

They are used by authorized personnels during an emergency.
There are 2 types of RFIS.

M8-RFIS-F Flush cover type
mounted into the wall, suitable for lobby or staircase.

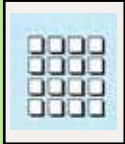
M8-RFIS-S Surface cover type
mounted on the wall, suitable for pump room or AHU room.



CONVENTIONAL FIREMAN INTERCOM SYSTEM

Why Mictron 8 is Preferred :-

- Its Excellent Features.
- Its Competitive Pricing.
- Easy Availability of Parts.
- Reliable & Well-Trained Support Team to Provide After-sales Service.
- Free In-house Training on Trouble-shooting is Available Upon Request.



User friendly simple keyboard operation to call and connect between the master and remote handsets.



Voltmeter & LED indication on keyboard panel showing system status.



16 x 1 character LCD on keyboard display alphanumeric message.



Compact plug-in modules save on space



Auto connection between the remote handset with the master handset, when the latter is lifted.



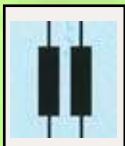
Automatic volume compensation for different wire length



Calling tones both at the remote and master handset, to show callers the status of the system.



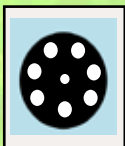
Minimum 10 years spare parts availability with reasonable price, no worry on future maintenance.



Two non-polarised wires are required for interlinking each remote handset with the main fireman intercom panel.



Audio & visual facility both at master panel & remote handset.



Party lines / conference calls from master handset to seven remote handsets.



Built-in transient suppressor to protect the modules from external high surge or irregular voltage.



20-point indication on facial display saves space on main cabinet housing. Red and amber LEDs to differentiate between calling and fault conditions.



Built-in servicing software for easy maintenance and servicing.



TECHNICAL SPECIFICATIONS



MAIN PANEL

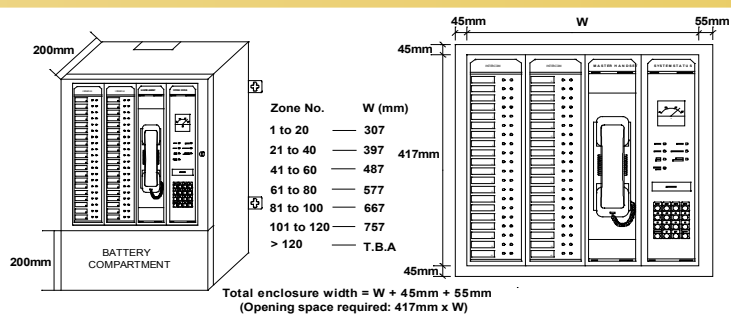
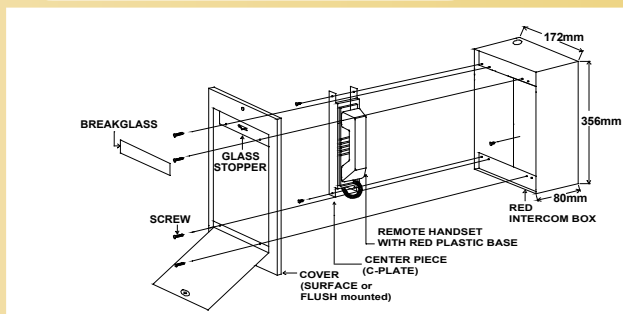
Manufacturer	: Micro-CTL Electronics Sdn. Bhd.
Brand	: Mictron
Model	: 8
Part Number	: MP-M8
Power Consumption	: 24V DC 150mA
Operating Temperature	: 0 - 45 degree C
Operating Humidity	: 5% to 95% (Non-condensation)
Panel Construction	: Mild steel
Panel Thickness	: 1.2mm
Finishing	: Epoxy powder coated paint
Colour	: Red
Testing Standard	: MS1745 Part2 : 2004
	: EN 54 Part2 : 2004
Test Report	: 2011EL0097 & 2011EMC015 SIRIM



REMOTE FIREMAN INTERCOM STATION (RFIS)

Model	: M8-RFIS
Handset Material	: High Impact Thermoplastic
Handset Colour	: Red
Constant Rating	: 24V DC 1A
Transmitter	: Condenser mic.
Receiver	: Dynamic
Impedance	: 150 Ohms
Max. Distance to MH	: 2km (2 x 1.5mm ² PVC cable)
Operating Temperature	: 0 - 50 degree C
Operating Humidity	: 5% to 95% (Non-condensation)
Box Material	: Mild Steel
Box Colour	: Red
Box Thickness	: 0.9-1.2mm
Box Finishing	: Epoxy powder-coated paint
Box Dimension	: 356mm (H) x 172mm (W) x 80mm (D)
Box Cover Dimension	: Surface Mount (M8-BC-S) (364mm (H) x 178mm (W)) Flush Mount (M8-BC-F) (380mm (H) x 195mm (W))

RFIS DETAIL & MAIN PANEL DIMENSION



N.T.S

BATTERY CHARGER

Model	: MCPS-8
Charger Type	: Constant voltage
Input voltage	: 240V AC ±10% 50Hz
Charging Voltage (Output Voltage)	: 27.5V DC 1.2A
Ripple & Noise	: 100mV (RMS) maximum
Operating Temperature	: 0 - 50 degree C
Operating Humidity	: 5% to 95% (Non-condensation)

SYSTEM STATUS PANEL

(Trouble Indication / Control Panel)

Panel Model	: M8P-CPU
Type	: Microprocessor based
Model	: Freescale MC68HC05
Memory	: 8K byte EPROM & 2K byte RAM
I/O port	: 1 serial & 2 parallel
Operator Interface	: Keyboard with 16 keys 16x1 Alphanumeric LCD display
System Indications	: LED for system fault, AC on/fail, DC on, Charger fail & Battery low
Type of meter	: Voltmeter 0 -30V DC
Power Consumption	: 22-32V DC, 50mA or 1.5W
Panel Construction	: Perspex on aluminium
Panel Colour	: Light grey / light blue / with black labelling
Panel Dimension	: 400mm (H) x 90mm (W) x 30mm (D)
Operating Temperature	: 0 - 50 degree C
Operating Humidity	: 5% to 95% (Non-condensation)

MASTER HANDSET PANEL

Panel Model	: M8P-MH
Handset Material	: High Impact Thermoplastic
Handset Colour	: Red
Constant Rating	: 24V DC 1A
Transmitter	: Condenser mic.
Receiver	: Dynamic
Impedance	: 150 ohms
Panel Construction	: Perspex on aluminium (surface panel) Mild - steel (flush panel)
Panel Colour	: Light grey / light blue / with black labelling
Panel Dimension	: 400mm (H) x 90mm (W) x 30mm (D)
Operating Temperature	: 0 - 50 degree C
Operating Humidity	: 5% to 95% (Non-condensation)

INTERCOM STATUS PANEL

(Selector Panel)

Panel Module	: M8P-DP
Capacity Per panel	: Maximum 20 zones
Indication	: CALL - Red LED FAULT - Amber LED
Zone card construction	: Zone card model : MCP-8ZR2 Capacity : 10 zones
	: Wiring card model : MCP-8RT2 LED card model : MCP-8ZT1
Power Consumption	: 22-32V DC, 20mA or 0.6W
Panel Construction	: Perspex on aluminium
Panel Colour	: Light grey / light blue / with black labelling
Panel Dimension	: 400mm (H) x 90mm (W) x 30mm (D)
Operating Temperature	: 0 - 50 degree C
Operating Humidity	: 5% to 95% (Non-condensation)

Other available Products :-



MICRO-CTL AUTOMATION SDN. BHD. (457153-X)
No.3, Jalan SS13/6A, Subang Jaya Industrial Estate,
47500 Selangor Darul Ehsan, Malaysia.
Tel: 006-03 5633 4993 Fax: 006-03 5636 1117
E-mail: sales@micro-ctl.com www.micro-ctl.com

Micro-CTL reserves the right to alter specification of its product from time to time without notice.